

Better by Design

Superior engineering makes SeamSafe™ the safest standing-seam roof anchor available. *Why trust fall protection to anything less?*

SeamSafe compared to other anchors:

- Twice the locking surface of other anchors.
- Lower profile geometry to reduce slip potential.
- Lighter and more portable (6.75 - 8.00 lbs).
- Single-wrench installation.



Carabiner shown used for anchor transport only

Made in America



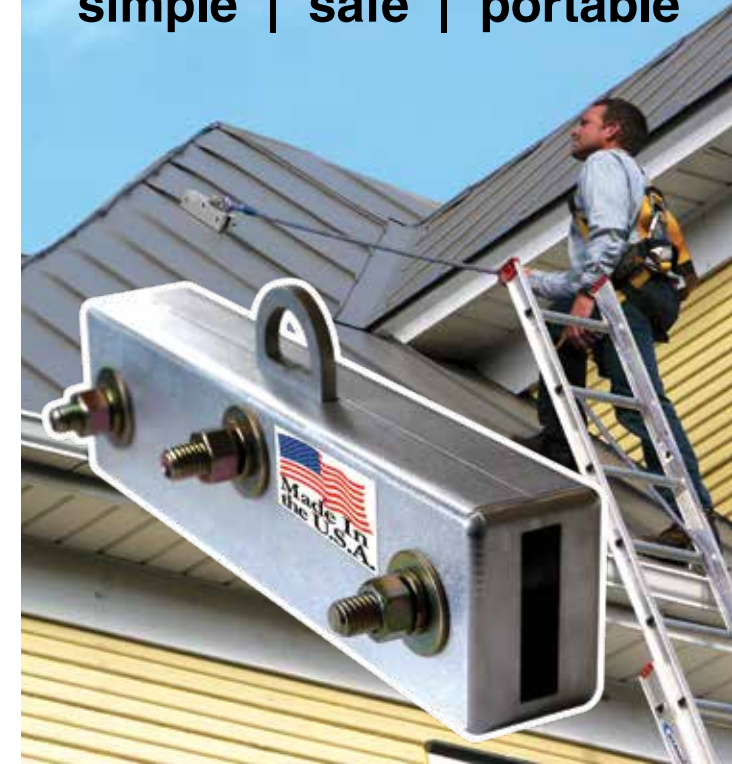
Construction Specialty Anchors LLC
355 Moran Farm Ln.
Troutville, VA 24175
Ph: 855.263.1521

855.263.1521



SEAMSAFE™

The Original Standing-Seam
Roof Anchor
simple | safe | portable



SeamSafe.com

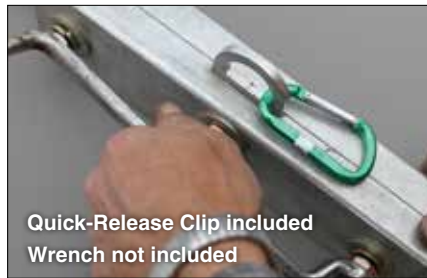


SeamSafe™ - The Original Standing-Seam Roof Anchor

simple | safe | portable

The SeamSafe™ Roof Anchor is a light-weight safety device that can be installed on most standing-seam roof systems quickly and easily. The portable device weighs 6.75 - 8.00 lbs, can be installed with only one wrench, and provides fall protection for up to 5000 lbs.

The anchor can be transported to a roof hands-free by being clipped to the roofer's belt using the included Quick-Release Clip. It also can be easily repositioned as the roofer works.



Quick-Release Clip included
Wrench not included

Carabiner shown used for anchor transport only

tested. It meets or exceeds ANSI and OSHA standards. Once a SeamSafe™ Anchor is properly attached to the roof and tethered to a roofer's harness, it will break any fall.



Carabiner shown used for anchor transport only

SeamSafe™ wasn't just the first standing-seam roof anchor, it's the safest and best, featuring the largest holding surface, the lightest weight, the best portability, and the only single-wrench attachment.

For more information, informative videos, or to place an order, visit www.SeamSafe.com or call 855.263.1521.



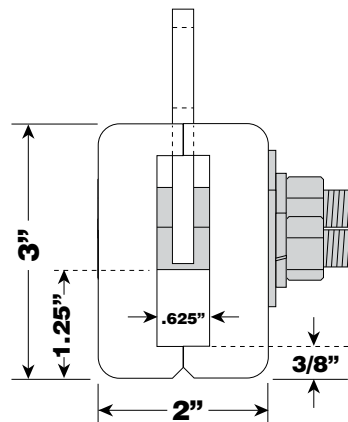
3 Models to Choose from:

The SeamSafe™ Roof Anchor consists of two blocks of high-grade 6061-T aircraft aluminum machined to form a high-capacity clamping device. Three bolts with locking washers and nuts connect the aluminum blocks.

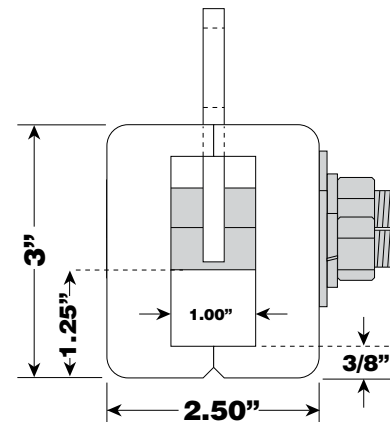
The anchor functions by loosening the nuts, separating the blocks, and fitting them over a single standing seam. Once positioned, the nuts are tightened with a 3/4-inch, box-end wrench.

The SeamSafe™ Roof Anchor is only 12" long, 3 - 4" tall, and 2 - 2.5" wide, yet it is made from the strongest materials. The anchor blocks are machined from solid 6061-T aircraft aluminum and held together by half-inch, grade-8 shank bolts. The quarter-inch, solid, stainless-steel "D" ring can be secured to any tethering device and harness.

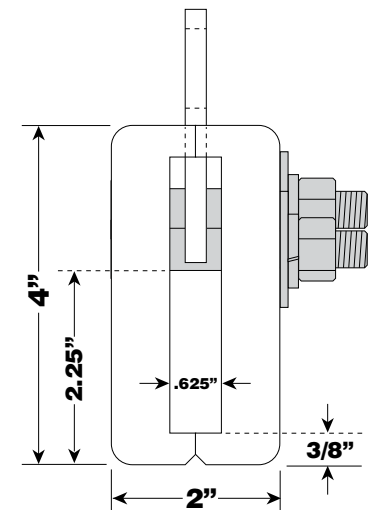
The SeamSafe™ Roof Anchor has been thoroughly



M1 OPENING
Max Seam Height - 1 1/4"
Max Seam Width - 5/8"



M2 OPENING
Max Seam Height - 1 1/4"
Max Seam Width - 1"



M3 OPENING
Max Seam Height - 2 1/4"
Max Seam Width - 5/8"

